

Installation and Operation Specification for Acrylic Pool BLUE LAGOON SPA (SAS-BLS).

IMPORTANT SAFETY WARNINGS

WARNING:

Children should not use spas or hot tubs without adult supervision.

WARNING:

Do not use spas or hot tubs unless all suctionguards are installed to prevent body and hair entrapment.

WARNING:

People using medications and/or having an adverse medical history should consult a physician before using a spa or hot tub.

WARNING:

People with infectious diseases should not use a spa or hot tub.

WARNING:

To avoid injury exercise care when entering or exiting the spa or hot tub.

WARNING:

Do not use drugs or alcohol before or during the use of a spa or hot tub to avoid unconsciousness and possible drowning.

WARNING:

Pregnant, or possibly pregnant, women should consult a physician before using a spa or hot tub.

WARNING:

Water temperature in excess of 38° C may be injurious to your health.

WARNING:

Before entering the spa or hot tub measure the water temperature with an accurate thermometer.

WARNING:

Do not use a spa or hot tub immediately following strenuous exercise.

WARNING:

Prolonged immersion in a spa or hot tub may be injurious to your health.

WARNING:

Do not permit electric appliances (such as a light, telephone, radio, or television) within 1.5m of the spa or hot tub.

WARNING:

The use of alcohol or drugs can greatly increase the risk of fatal hyperthermia in hot tubs and spas.

IMPORTANT SAFETY INSTRUCTIONS

- 1. This system must be installed by qualified technician. Anticreeper switch plug should put the convenient place to control.**
- 2. A. Earthed appliances must be permanently connected to fixed wiring;
B. The appliance should be supplied through a residual current device (RCD) having a rated residual operations current must more than 32 A. It**

is AOR because of the loss caused by earthed badly!

3. the system should be installed horizontal & firmly, the crust should be earthed firmly!

4. the circuit load should be thought when installed, otherwise, it will influence system work, or take place safety accident!

5. All the wires & apparatus should be damp-proof and kept dry when installed.

6. pour water into the tub, water temperature must higher than 7 ° C, Do not put hot water directly,

7. Parts containing live parts, except parts supplied with safety extra-low voltage not exceeding 12 V, must be inaccessible to a person in the system;

8. Parts incorporating electrical components must be located or fixed so that they cannot fall into the system;

9. Make sure the wire is laid correctly and it is done in with a equipotential connection.

10. If the supply cord is damaged, it must be replaced by the manufacturer, its service agent or similarly qualified persons in order to avoid a hazard.

11. There shall be state that means for disconnection must be incorporated in the fixed wiring in accordance with the wiring rules.



Basic System Features and Functions

Power Requirements

Single Service [3 wires (line, neutral, ground)]

- 230VAC, 50Hz, 1~, 32A, (Circuit Breaker rating = 40A max.)

System Outputs

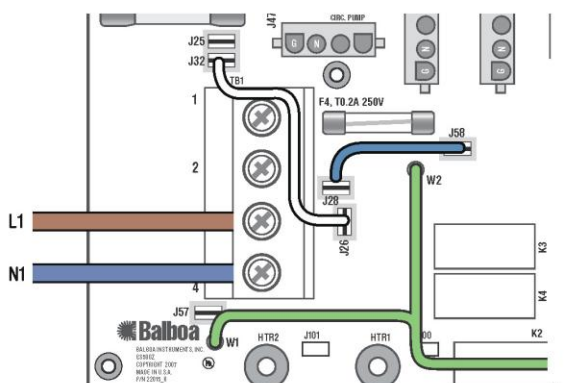
Setup 1 (As Manufactured)

- 230V Pump 1, 1-Speed
- 230V Pump 2, 1-Speed
- 230V Pump 3, 1-Speed
- 230V Blower
- 230V Ozone
- 10V Spa Light
- 230V AV (Stereo)
- 230V 3.0kW Heater
- 230V Circ Pump

* Heater wattage is rated at 230V.

Electrical Service Configuration Options

AS MANUFACTURED



Single Service, TN and TT Electrical Systems (1 x 32 Amp)

3 Wires (1 Line + 1 Neutral + 1 Protective Earth)

Protective Earth wire (Green/Yellow) must be connected to system ground terminal as marked.

This option is configured and shipped as the default.

All equipment (pumps, blower, and heater) runs on service line L1.

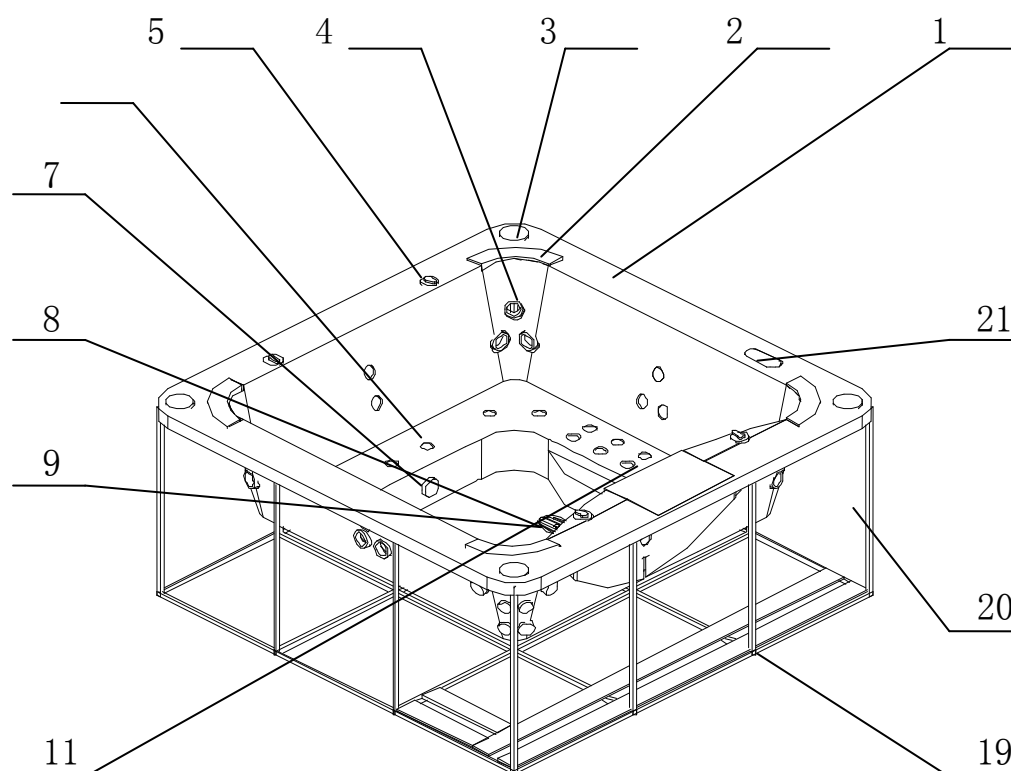
I. Important Tips

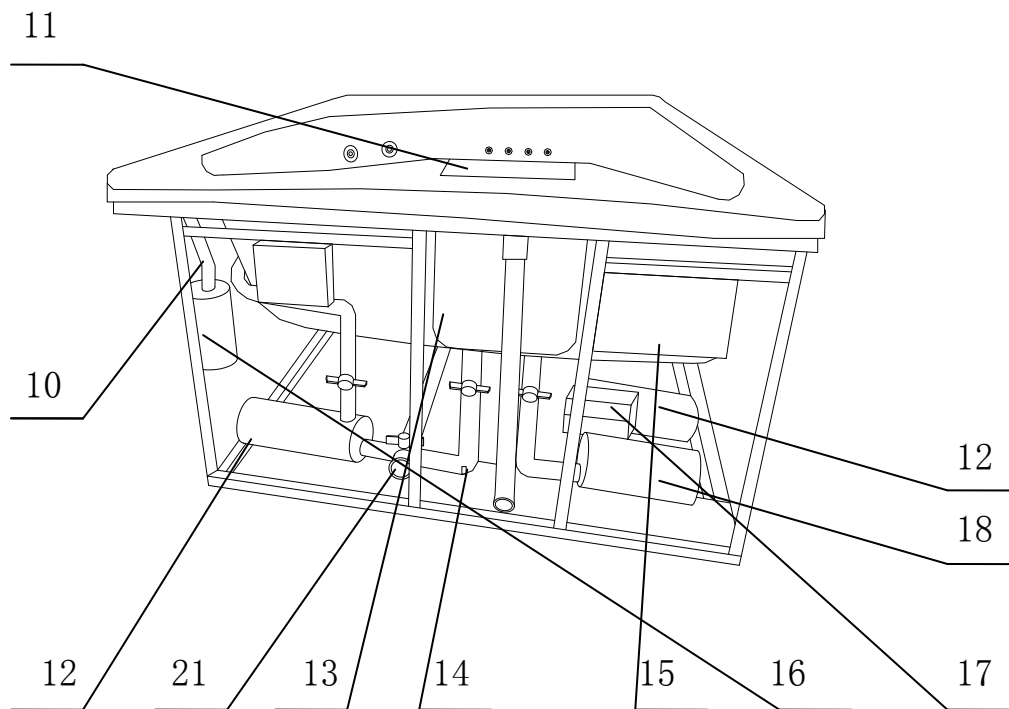
1. Please check and number of the property and make sure if any products are damaged during transportation or not after unpacking. Once installed, any damage arising from transportation will not be acknowledged.
2. Be careful when properties are conveyed, to avoid damage.
3. Installation should be undertaken strictly as per this Installation Specification. Otherwise the entire structure would be liable for water leakage or break down.
4. Only the professionals are to be engaged for installation of electric power supply.

II. Installation Tools

Level bar, Plummet, Glass cement gun, Churn drill, Measuring tape, Inner hexagon spanner, Hammer, Gel Hammer, Pencil, and Cruciform screw driver

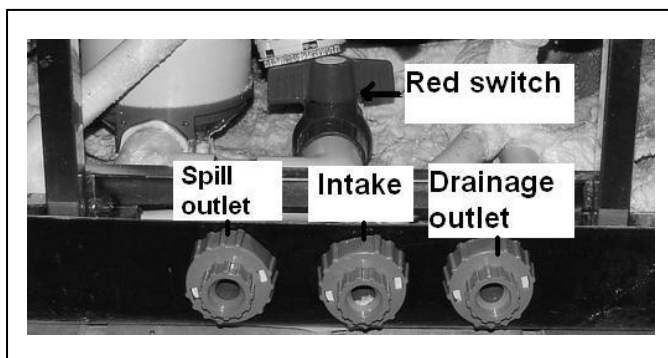
III. Schematic Diagram of Structure





The Whole Installation Layout

- (1) tub Body 1 (2) Pillows (3) Loudspeakers (4) Jets (5) Surf Adjustments (6) Bubble Nozzles (7) LED LIGHT (8) Drainage Device (9) Water Suction (10) Pipes (11) Filter Cover (12) Surf Pump 2 (13) Filter (14) Ozone (15) Control Boxes (16) Air Pumps (17) Thermostat (3KW) –build-in with control box if Balboa packing install (18) Cycle Pump (0.75P) 1 (19) stainless steel frame (20) Wooden skirt (21) Computer Controller



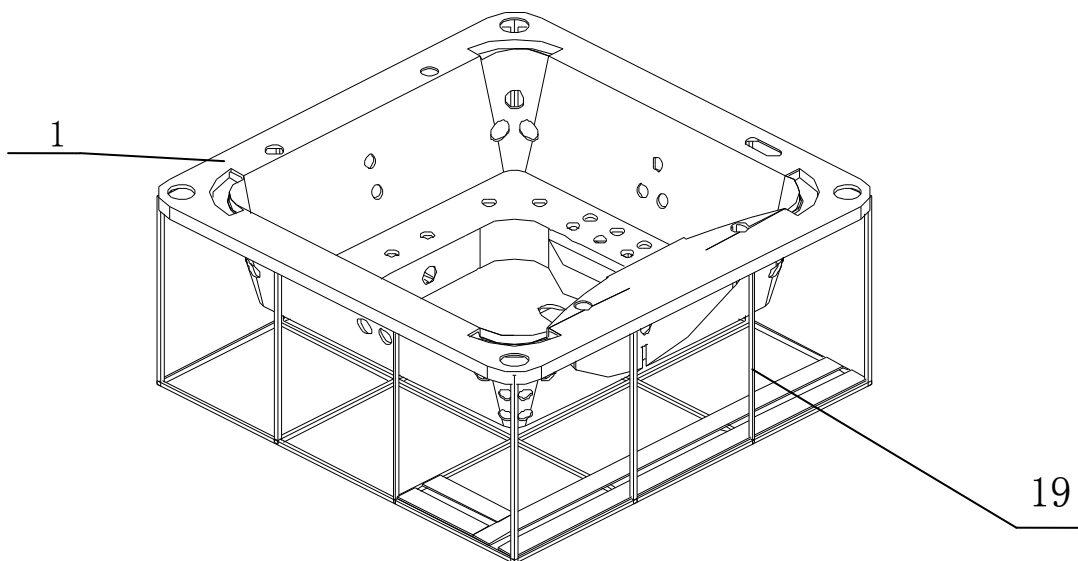
Please Note:

- 1, Spill outlet must be always on
- 2, Intake must be on when put water into the tub, and must be closed when tub have enough water
- 3, Drainage outlet and red switch must be on when drain, and must be closed when not use.

IV. Installation Procedure

Step 1: Install Bathtub Body and Bracket

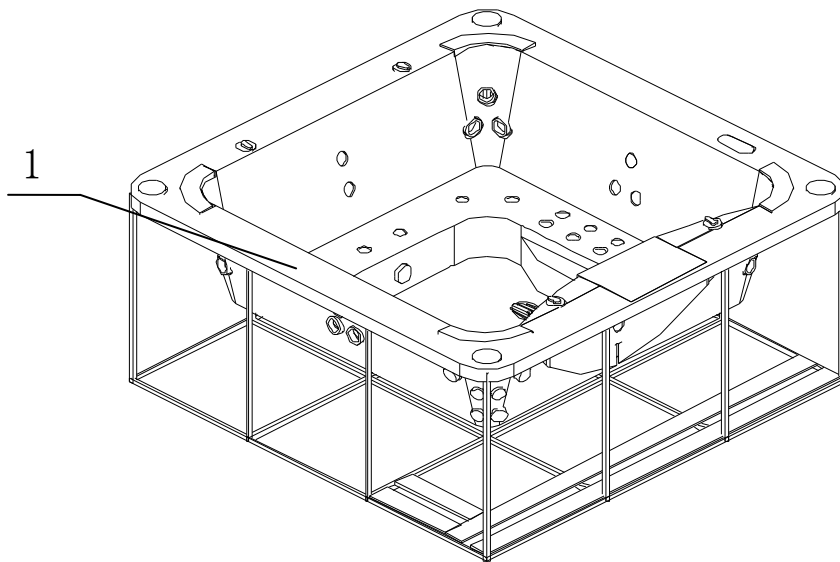
1. Make the bracket (19) with the measurement of bathtub body, then install and fix the bathtub body (1) onto the bracket.



Install Bathtub Body and Bracket

Step 2: Install Parts inside Bathtub

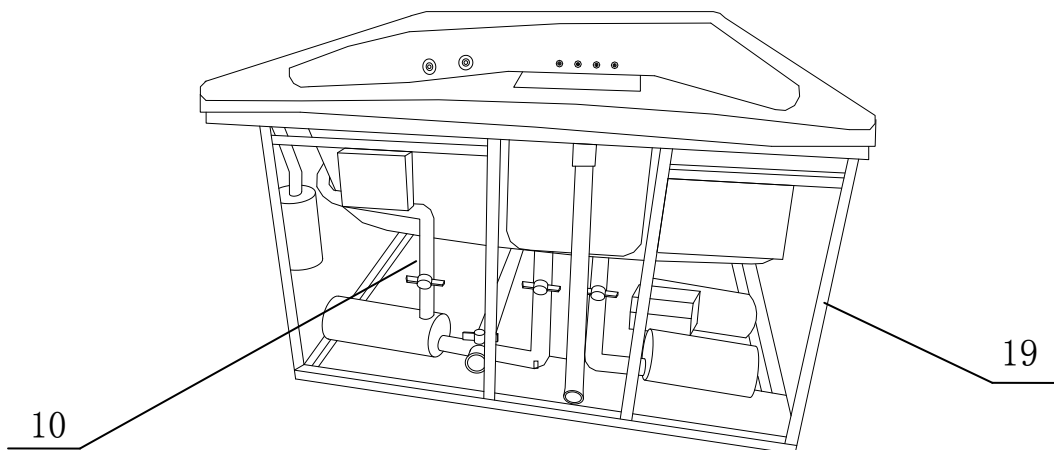
1. Install one drainage device (8) into the bathtub (1).
2. Install 2 colorful lamps (7) into the bathtub (1).
3. Install 2 water suction appliances (9) into the bathtub (1).
4. Install 39 bubble nozzles (6) into the bathtub (1).
5. Install 12 waterpower massagers (4) into the bathtub (1).
6. Install one Filter Cover (11) onto the bathtub (1).
7. Install one computer controller (21) onto the bathtub (1).
8. Install 4 pillows (2) onto the bathtub (1).
9. Install 4 surf adjustments (5) onto the bathtub (1).
10. Install 4 loudspeakers (3) onto the bathtub (1).



Install Parts inside Bathtub

Step 3: Install Appliances outside Bathtub

1. Install 2 surf pumps (12, 18) onto the bracket (19).
2. Install two filter (13) onto the bracket (19).
3. Install one Ozone Sterilizer r (14) onto the bracket (19).
4. Install two air pumps (16) onto the bracket (19).
5. Install one thermostat (17) onto the bracket (19).
6. Install 2 control boxes (15) onto the bracket (19).
7. Link and fix these appliances to bathtub parts by pumps (10).
8. Install Wooden Edge(20) around the bracket (19) (drawing)



Install Appliances outside Bathtub

Step 4: Seal up Conduits, Parts and Appliances

1. Set the larger end of drainage hose on the drainage elbow of the bathtub. Insert the smaller end of drainage hose into the drainage hole. Coat the joints uniformly with neutral leak-proof sealant.
2. Coat each joining part uniformly with the neutral leak-proof sealants.

Step 5: Electric Installment

Make contact with circuits of each appliance.

Step 6: Test Run

Water and electricity test run. Check if there is any water, power and steam leakage or not.

Under the normal operation of the bathtub, close water supply and power supply and move the bathtub to the place for application.